

VERSION
20241115



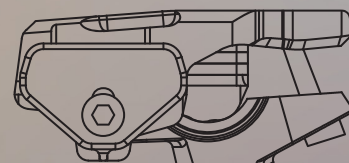
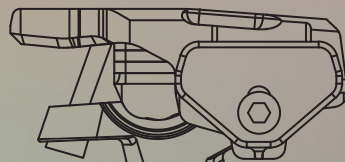
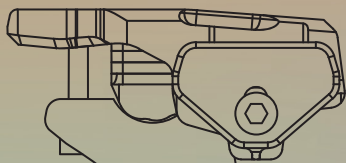
FAIR

bicycle

DROP BEST UC

OFFSET

SADDLE CLAMP



PRODUCT MANUAL

DIRECTORY

1. SAFETY	p.3
2. COMPATIBILITY	p.4
3. PARTS DESCRIPTION	p.5-8
4. PREPARATION	p.9
5. INSTALLATION	p.10-12
6. MAINTENANCE	p.13

1.SAFETY

DEAR BICYCLE FRIEND!

Please read this manual.
Please ride bikes, hard.

IMPORTANT SAFETY NOTICE

This manual is meant to be used by professional bike mechanics. If you are not a professional bike mechanic you should not install these bike components. If you do not understand parts or the whole of this manual contact FAIR bicycle or a professional bike mechanic and ask for advice.

Read this manual in its integrity.

All FAIR bicycle manuals are available here:
www.fairbicycle.com/manuals

Should you be unable to access this manual online, please contact FAIR bicycle.

FAIR bicycle
Hübscheren 6
8932 Mettmenstetten
Switzerland

hello@fairbicycle.com
+41 76 533 00 25

Do not undertake any manipulations other than those explained in this manual.

Here comes the phrase without which no product manual is complete:

Failure to follow the instructions in this manual can lead to serious injury or death.

2.COMPATIBILITY

THE DROP BEST UC SADDLE CLAMP IS COMPATIBLE WITH:

ALMOST ALL DROPPER AND RIGID SEATPOSTS
WHICH USE A VERTICAL SET OF MOUNTING BOLTS.

YOU CAN FIND A LIST OF VERIFIED
COMPATIBLE SEATPOSTS [HERE](#).

IF YOU ARE UNSURE ABOUT FIT, EITHER CONTACT
US OR DOWNLOAD AND 3D PRINT THE DROP BEST
UC DUMMIE [HERE](#) TO PHYSICALLY CHECK THE FIT. IT
WILL ALLOW YOU TO CHECK THE FIT OF BOTH YOUR
SEATPOST AS WELL AS YOUR PREFERRED SADDLE
MODEL! PLEASE BE AWARE THAT THE DUMMIE USES
THE MAXIMUM OF 11 MM OF SPACERS. TO CHECK
THE FIT OF OTHER SPACER SETTINGS (SPACERS IN-
CLUDED ARE 3 X 3 MM AND 2 X 2 MM), SIMPLY MEA-
SURE YOUR CLEARANCE AND DEDUCT THE THICK-
NESS OF THE SPACERS IN A VERTICAL AXIS TO THE
TOP SURFACE OF DROP BEST UC.

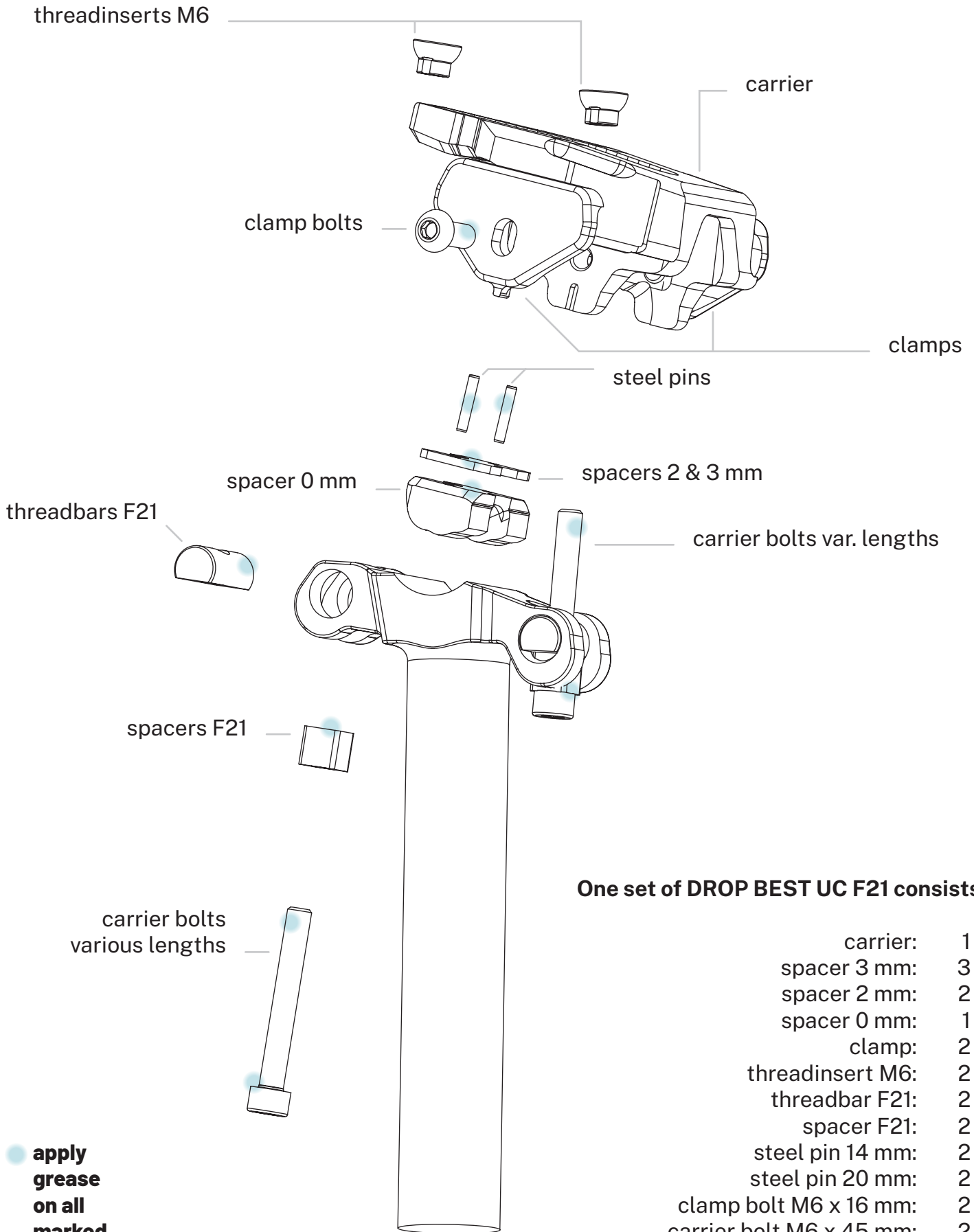
UPON SPECIAL REQUEST, DROP BEST UC CAN BE
RUN WITH AS MUCH AS 21MM OF SPACERS. IF
YOUR POST REQUIRES MORE THAN 11MM SPACERS,
PLEASE GET IN TOUCH AT hello@fairbicycle.com

FAIR BICYCLE DELIVERS ALL DROP BEST UC VER-
SIONS WITH A VARIETY OF BOLTS. HOWEVER, FOR
BEST PARTS CLEARANCE AND WEIGHT SAVINGS
(IT'S IMPORTAANT:) ALL BOLTS ARE MEANT TO BE
CUT TO SIZE AFTER THEIR CORRECT LENGTH HAS
BEEN DETERMINED (FOR CUTTING INSTRUCTIONS
PLEASE REFER TO P.11).

DROP BEST UC IS COMPATIBLE WITH MOST SADDLES
THAT HAVE EITHER 7 MM ROUND RAILS (USUALLY
METAL RAILS) OR 7 x 9 RESP. 7 x 10 MM OVAL RAILS
(USUALLY COMPOSITE RAILS). SOME SADDLE GEOM-
ETRIES CAN LIMIT THE RANGE OF FORWARDS/BACK-
WARDS ADJUSTMENT WHEN DROP BEST UC IS USED
TO CREATE A BACKWARDS OFFSET.

3.PARTS DESCRIPTION

DROP BEST UC F21
(FOR FOX TRANSFER 2021 POSTS)



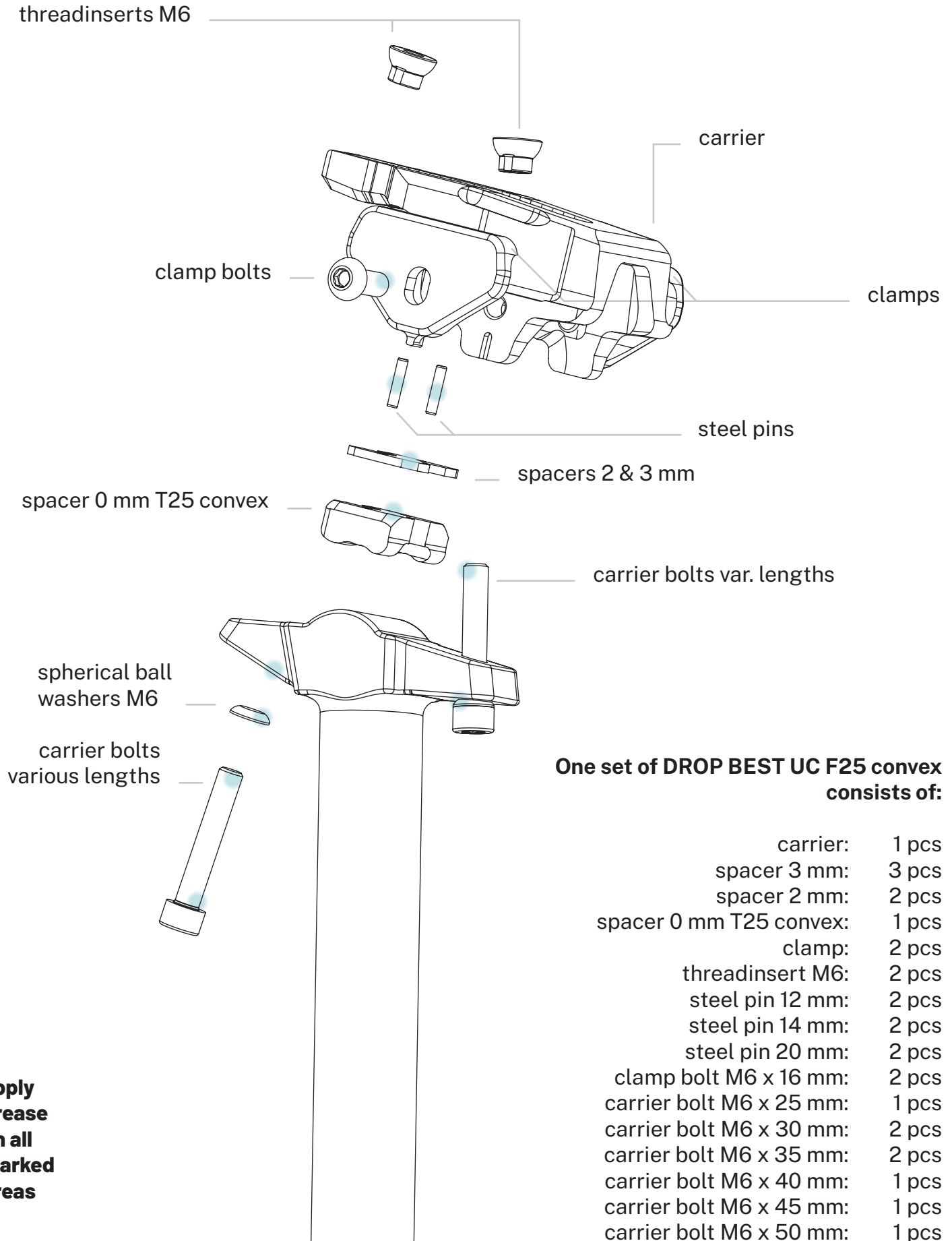
● apply grease on all marked areas

One set of DROP BEST UC F21 consists of:

- carrier: 1 pcs
- spacer 3 mm: 3 pcs
- spacer 2 mm: 2 pcs
- spacer 0 mm: 1 pcs
- clamp: 2 pcs
- threadinsert M6: 2 pcs
- threadbar F21: 2 pcs
- spacer F21: 2 pcs
- steel pin 14 mm: 2 pcs
- steel pin 20 mm: 2 pcs
- clamp bolt M6 x 16 mm: 2 pcs
- carrier bolt M6 x 45 mm: 2 pcs
- carrier bolt M6 x 50 mm: 1 pcs

3.PARTS DESCRIPTION

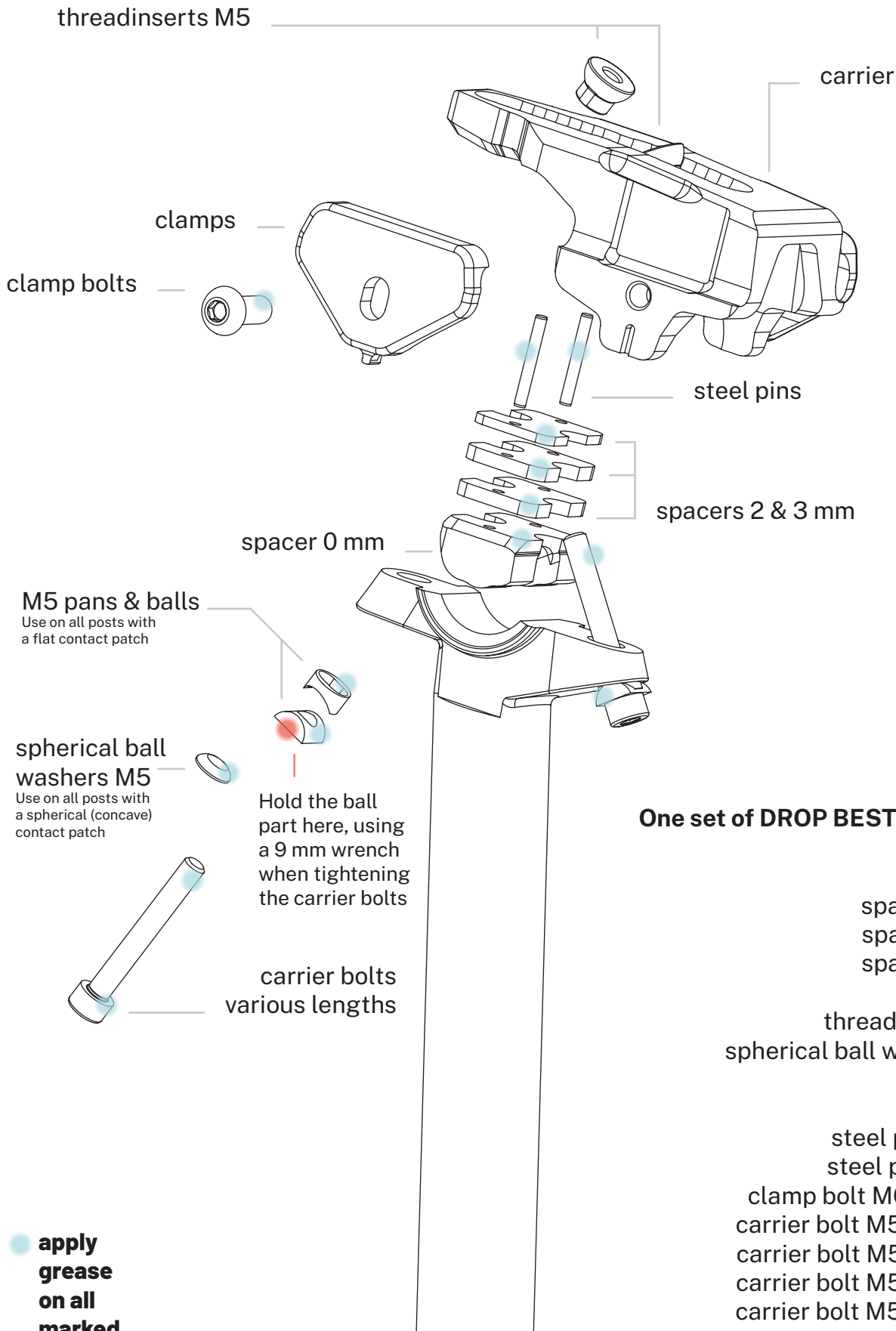
DROP BEST UC F25 convex
 (FOR FOX TRANSFER 2025, TRANSFER NEO AND OTHER
 POSTS WITH CONCAVE HEAD INTERFACES)



3.PARTS DESCRIPTION

DROP BEST UC M5

(FOR ALL POSTS USING M5 HARDWARE)

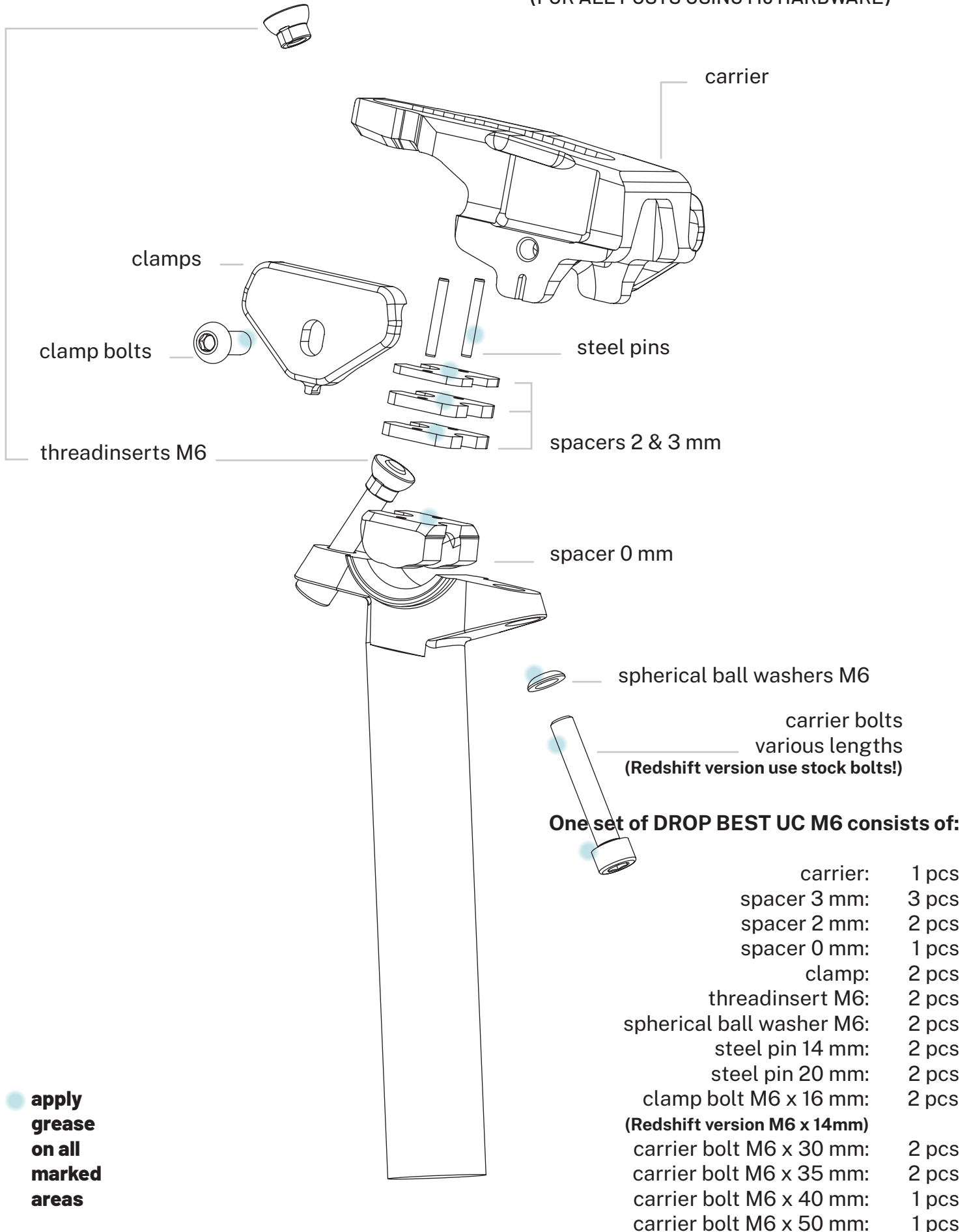


One set of DROP BEST UC M5 consists of:

- carrier: 1 pcs
- spacer 3 mm: 3 pcs
- spacer 2 mm: 2 pcs
- spacer 0 mm: 1 pcs
- clamp: 2 pcs
- threadinsert M5: 2 pcs
- spherical ball washer M5: 2 pcs
- M5 ball: 2 pcs
- M5 pan: 2 pcs
- steel pin 14 mm: 2 pcs
- steel pin 20 mm: 2 pcs
- clamp bolt M6 x 16 mm: 2 pcs
- carrier bolt M5 x 35 mm: 2 pcs
- carrier bolt M5 x 40 mm: 1 pcs
- carrier bolt M5 x 45 mm: 1 pcs
- carrier bolt M5 x 55 mm: 1 pcs

3.PARTS DESCRIPTION

DROP BEST UC M6 / DROP BEST UC M6 redshift (FOR ALL POSTS USING M6 HARDWARE)



3.PARTS DESCRIPTION

DROP BEST UC road

(FOR ALL NON DROPPER, BUT PROPRIETARY POSTS USING M5/M6/M7/M8 HARDWARE)

For posts using downwards facing M5, M6 or M7 bolts:

- M5/M6 socket cap bolts, M7 hex head bolt
- threadinsert 6.1mm (M5/M6 bolts)
- threadinsert 7.1mm (M7 bolt)

threadinserts M6 & M5

Use the one matching your post's original spec

For posts using an M8 bolt:

! Apply med. strength thread-lock, and set the nut flush with the upper end of the M6 section of the special bolt. Let dry, adjust saddle position. Tighten the other bolt to the defined torque value!

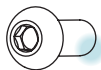
special nut M6

threadinsert 6.5 mm

special M6/M8 bolt

clamps

carrier



clamp bolts

steel pins

spacers 2 & 3 mm

spacer 0 mm

spherical ball washers M5 & M6

Use the one matching your post's original spec

carrier bolts various lengths

One set of DROP BEST UC road consists of:

- carrier: 1 pcs
- spacer 3 mm: 3 pcs
- spacer 2 mm: 2 pcs
- spacer 0 mm: 1 pcs
- clamp: 2 pcs
- threadinsert M6: 1 pcs
- threadinsert M5: 1 pcs
- threadinsert 6.1 mm: 1 pcs
- spherical ball washer M6: 1 pcs
- spherical ball washer M5: 1 pcs
- steel pin 14 mm: 2 pcs
- steel pin 20 mm: 2 pcs
- clamp bolt M6 x 16 mm: 2 pcs
- carrier bolt M6 x 45 mm: 2 pcs
- carrier bolt M5 x 40 mm: 2 pcs

upon special request only (note when ordering!):

- M7 x 60mm hex bolt 1 pcs
- threadinsert 7.1 mm 1 pcs
- special M6/M8 bolt: 1 pcs
- special nut M6: 1 pcs

● apply grease on all marked areas

4. PREPARATION

To prepare for assembly you will need a 5 and 6 mm allen key. Also a torque wrench able to be adjusted between 5 and 12 Nm. Some kind of mounting grease and a medium strength, removable threadlock liquid which allows the connection to be disassembled with hand tools and/or a heat gun (we test with and recommend: Loctite® 243). If you need to shorten bolts, a metal cutting disc and a metal file will be required.

No preparation of the parts is needed to install the DROP BEST UC saddle clamp when bought new. Simply remove the saddle clamp from your seatpost, clean its head with a soft, non fraying, dry cloth and install the DROP BEST UC. Installation instructions see page 10 onwards.

If you have changed your saddle or disassembled your DROP BEST UC for another reason, go through the following steps:

1. Clean all parts with a soft, non fraying, dry cloth.
2. Apply grease on all parts as marked in the illustrations on pages 5 to 8.
3. Install as explained on page 10 onwards.

5. INSTALLATION

Put your bicycle in a bike stand.

1. Install the carrier

1.1 Install the carrier with a forwards or backwards offset, as desired.

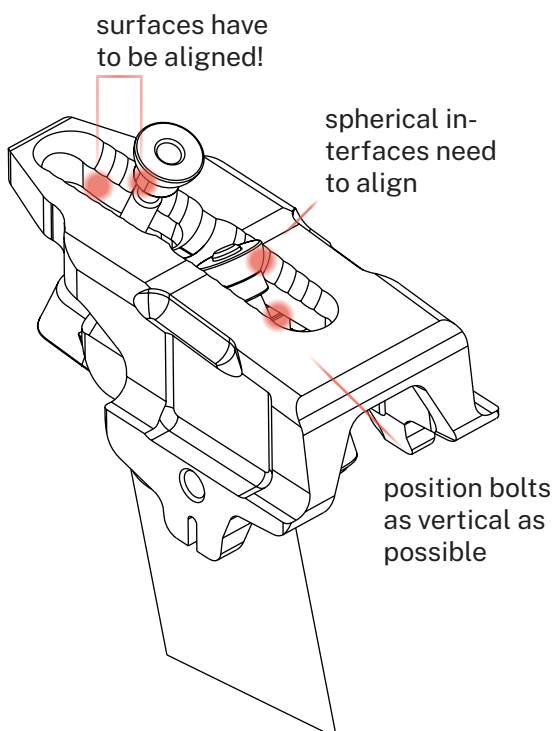
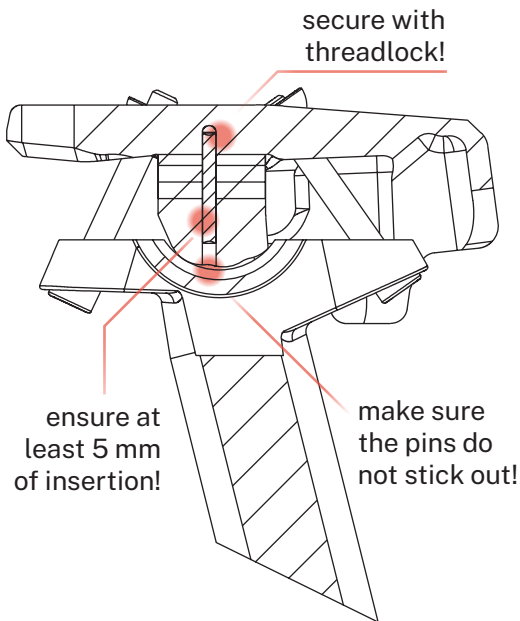
!Make sure the correct mounting hardware is installed, oriented as shown in the illustrations on pages 5 to 8. Also apply grease where indicated.

1.2 Install the steel pins into the carrier body. Make sure the pins are fully inserted into the carrier (3.8mm depth). Use a medium strength, removable threadlock liquid (we use and test with Henkel LOCTITE® 243, medium strength) which allows the connection to be disassembled with hand tools and / or a heat gun.

Tip: Use a vice with soft or ground jaws to remove the pins. This will make sure they do not get scratched in the process, so they will reinstall nicely and smoothly.

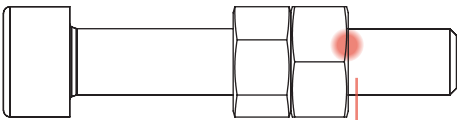
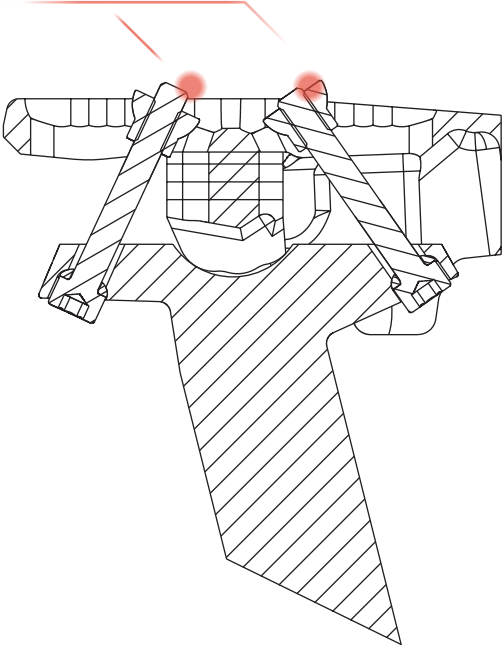
1.3 Install spacers as desired. A guideline related to market leading seatposts can be found [here](#). You may run anywhere between 0 mm (no spacers) to 11 mm of spacers (all spacers included in your DROP BEST UC). Make sure that the steel pins are always fully inserted and fixed into the carrier with threadlock. And are inserted at least 5 mm at all times into the part *spacer 0 mm*. Use the supplied 14 and 20 mm pins accordingly. **Special note:** Upon special request, DROP BEST UC can be run with as much as 21mm of spacers. If your post requires more than 11mm spacers, please get in touch at hello@fairbicycle.com

1.4 Install the carrier bolts and threadinserts. Make sure you use the correct spherical washer or the M5 pan/ball or Fox F21 threadbar/spacer, as illustrated on pages 5 to 8. Make sure you orient the threadinserts so that their flat machined surfaces slide into the slot. Make sure the threadinsert's spherical surface properly engages one of the spherical seats in the carrier. Position the threadinserts to achieve the most vertical orientation of the carrier bolts possible. Tighten the carrier bolts slightly using an allen key. Slide the saddle over the carrier (see step *2. for how to) and adjust the saddle angle as de-



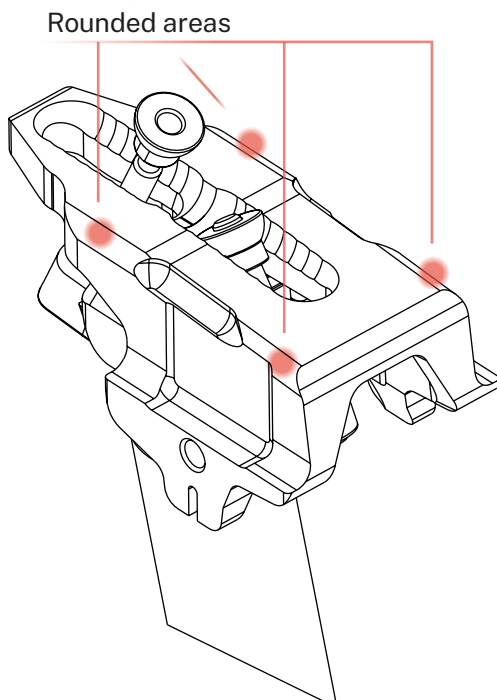
5. INSTALLATION

Ideally bolts stick out between 1 and 5 mm.



Lock the first nut.

Cut here with a cutting disc. Use the nut as a guide.



sired. At your selected saddle angle, make sure the carrier bolts engage all threads of the threadinserts and stick out between 1 and 5 mm, using the different length supplied bolts. If the bolts stick out too far, either cut them to the correct length or jump to step *2. Install the saddle*, and check whether the saddle at full load (e.g. jumping up from the saddle and dropping your full weight onto it) collides with the bolts sticking out. If it does, shorten the bolts.

Tip: Install two nuts onto the bolt to be shortened. Position the second nut so the amount of bolt to be cut sticks out behind the nut. Use the first nut to lock the second nut. Use the second nut as a guide while cutting. Using a vice, clamp the bolt at the first nut. After cutting, deburr the bolt using the file. Now, unscrewing the nuts, use them to reform the thread on the end of the bolt by threading them on and off the bolt end multiple times, without removing it completely, until you feel the thread running smoothly again.

!You will need a cutting disc to cut these high strength grade bolts, as, due to their hardness, they will damage any regular steel cutting saw blade!

Now, using a calibrated torque wrench, tighten the carrier bolts as follows:

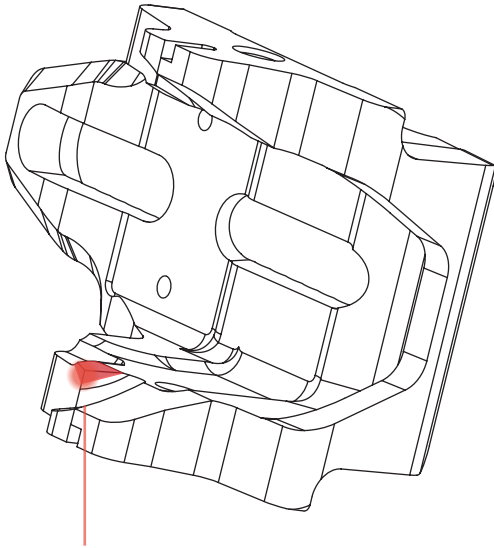
- All seatposts: Tighten them sequentially, until the required torque value is achieved.
 - Seatposts using M5 hardware: Use the torque value recommended by the post manufacturer. If no value is indicated, tighten them to 7 Nm. Hold the ball parts with a 9 mm wrench as illustrated on p.6.
 - Seatposts using M6 hardware: Tighten them to 10 Nm.
 - Fox Transfer 2021 seatposts: Tighten them to 10 Nm.
 - Road/proprietary seatposts: Use the torque value recommended by the post manufacturer. If no value is indicated, tighten them to 10 Nm for M6 bolts and to 7 Nm for M5 bolts.
- When using our special M6/M8 bolt or an M7 bolt, just use them to set the right saddle angle. Then tighten the other bolt to the torque value indicated here above.

2. Install the saddle

Install the saddle. If necessary, slightly bend open the saddle rails by hand to avoid rail damage.

!Make sure you slide the saddle over the marked, rounded areas (shown in the illustration) of the carrier to avoid possible rail damage (especially when using carbon composite rails).

5. INSTALLATION



If needed, for OneUp V3 clearance:
file off this volume

3. Install the clamps

3.1 First side clamp: Slot the anchor into the rail of the carrier.

3.2 Turn the clamp bolt by hand until the clamp touches the rail.

3.2.1 Redshift only: Make sure to use the 14mm long bolts supplied with your DROP BEST UC M6 redshift!

3.3 Repeat with the second side clamp.

3.4 Now hold down the clamp against the rail with your thumb while pressing it down and tightening the clamp bolt handtight with an allen key.

3.5 Repeat with the second side clamp.

3.6 Tighten each bolt to 12 Nm using a torque wrench.

3.7 Set your desired seat angle if adjustment is still needed. Do not exceed the recommendations mentioned under 1.4.

4. For OneUp V3 users only

4.1 IMPORTANT: As a front carrier bolt, use the original OneUp M6 bolt with spherical head! If you use any other bolt, the bolt head will collide with the collar of the seatpost at max. travel!

4.2 For DROP BEST UC production batch 122_079_001 only

To be considered: Only if you run a bike with quite a slack seat angle and/or like to ride with your saddle pointing down in an un-SAGed position. And assuming you are really tight on stack, therefore running no spacers at all on your DROP BEST UC M6. The carrier may contact the collar of the OneUp V3 at full travel of the post. You can file off the marked area in the illustration on this page. This will not void your warranty. From batches 122_079_002 onwards, we will do this from factory/machined.

5. Safety check

- Make sure the saddle rails do not slip in the seat post clamp.

- Make sure the saddle/carrier assembly does not move on the seatpost tube it rests on.

- Despite our best efforts, we cannot guarantee we are aware of all changes manufacturers make to their seatposts. Also we cannot foresee all the

6.MAINTENANCE

possible setups, you, as our valued customers, choose to use. Therefore it is very important to check whether DROP BEST UC collides with the seatpost collar, frame or any other parts/equipment of the bike at full insertion of the dropper post, or in normal riding condition for rigid posts. **Pay special attention to rear tire/saddle collision at the post's and the bike's full travel! Especially if you run DROP BEST UC with rearward offset!** If you have any kind of collision, we would appreciate informing us via email, so we can learn and further improve the design. Thank you!

6. Go ride!

After every 40 h of ride use:

1. Totally disassemble your DROP BEST.
2. Clean all parts with a soft, non fraying, dry cloth.
3. Check all parts for signs of corrosion, cracks or other damage.
4. If there are any signs of corrosion, cracks or other damage, replace the parts immediately and do not ride before doing so.
5. Regrease all the parts as illustrated on pages 5 to 8. Recommended grease: WAGNER Classic Oil KH 100. But any high quality mounting grease will work too.
6. Reinstall your DROP BEST following the instructions on page 10 onwards.

Failure to follow the instructions in this manual including these maintenance requirements can lead to serious injury or death!

**Ride hard but safe!
THANK YOU**

FAIR bicycle

Copyright 2024 FAIR bicycle
STUDIO FROM SCRATCH LTD.

Operational Headquarters:

FAIR bicycle
Hübscheren 6
8932 Mettmenstetten
Switzerland

email: hello@fairbicycle.com
phone: +41 76 533 00 25

Legal Address:

STUDIO FROM SCRATCH LTD.
Glärnischstrasse 297
8708 Männedorf

info@fromscratch.ch