

VERSION  
20240312



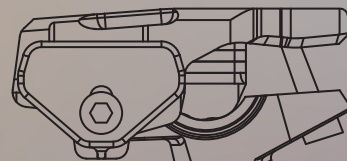
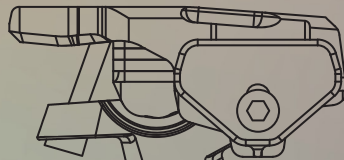
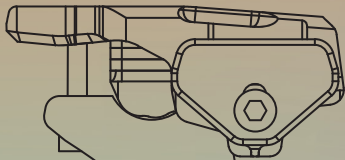
# FAIR

*bicycle*

## DROP BEST UC

OFFSET

SADDLE CLAMP



## PRODUCT MANUAL

# DIRECTORY

|                             |         |
|-----------------------------|---------|
| <b>1. SAFETY</b>            | p.3     |
| <b>2. COMPATIBILITY</b>     | p.4     |
| <b>3. PARTS DESCRIPTION</b> | p.5-8   |
| <b>4. PREPARATION</b>       | p.9     |
| <b>5. INSTALLATION</b>      | p.10-12 |
| <b>6. MAINTENANCE</b>       | p.13    |

# 1.SAFETY

## DEAR BICYCLE FRIEND!

Please read this manual.  
Please ride bikes, hard.

## IMPORTANT SAFETY NOTICE

This manual is meant to be used by professional bike mechanics. If you are not a professional bike mechanic you should not install these bike components. If you do not understand parts or the whole of this manual contact FAIR bicycle or a professional bike mechanic and ask for advice.

Read this manual in its integrity.

All FAIR bicycle manuals are available here:  
[www.fairbicycle.com/manuals](http://www.fairbicycle.com/manuals)

Should you be unable to access this manual online, please contact FAIR bicycle.

FAIR bicycle  
Hübscheren 6  
8932 Mettmenstetten  
Switzerland

hello@fairbicycle.com  
+41 76 533 00 25

Do not undertake any manipulations other than those explained in this manual.

Here comes the phrase without which no product manual is complete:

Failure to follow the instructions in this manual can lead to serious injury or death.

## 2.COMPATIBILITY

### THE DROP BEST UC SADDLE CLAMP IS COMPATIBLE WITH:

ALMOST ALL DROPPER AND RIGID SEATPOSTS  
WHICH USE A VERTICAL SET OF MOUNTING BOLTS.

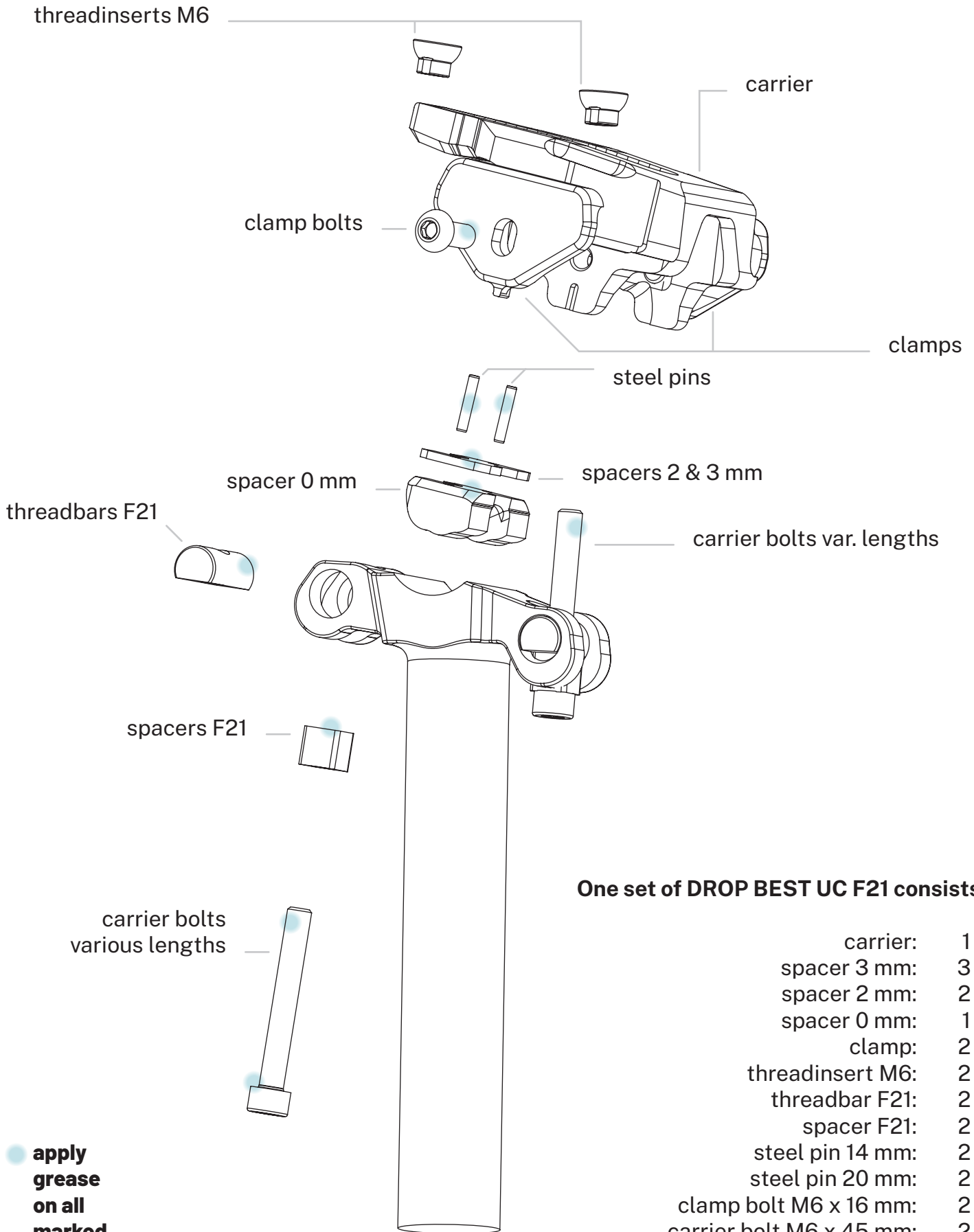
YOU CAN FIND A LIST OF VERIFIED  
COMPATIBLE SEATPOSTS [HERE](#).

IF YOU ARE UNSURE ABOUT FIT, EITHER CONTACT  
US OR DOWNLOAD AND 3D PRINT THE DROP BEST  
UC DUMMIE [HERE](#) TO PHYSICALLY CHECK THE FIT. IT  
WILL ALLOW YOU TO CHECK THE FIT OF BOTH YOUR  
SEATPOST AS WELL AS YOUR PREFERRED SADDLE  
MODEL! PLEASE BE AWARE THAT THE DUMMIE USES  
THE MAXIMUM OF 11 MM OF SPACERS. TO CHECK  
THE FIT OF OTHER SPACER SETTINGS (SPACERS IN-  
CLUDED ARE 3 X 3 MM AND 2 X 2 MM), SIMPLY MEA-  
SURE YOUR CLEARANCE AND DEDUCT THE THICK-  
NESS OF THE SPACERS IN A VERTICAL AXIS TO THE  
TOP SURFACE OF DROP BEST UC.

DROP BEST UC IS COMPATIBLE WITH MOST SADDLES  
THAT HAVE EITHER 7 MM ROUND RAILS (USUALLY  
METAL RAILS) OR 7 x 9 RESP. 7 x 10 MM OVAL RAILS  
(USUALLY COMPOSITE RAILS). SOME SADDLE GEOM-  
ETRIES CAN LIMIT THE RANGE OF FORWARDS/BACK-  
WARDS ADJUSTMENT WHEN DROP BEST UC IS USED  
TO CREATE A BACKWARDS OFFSET.

# 3.PARTS DESCRIPTION

**DROP BEST UC F21**  
(FOR FOX TRANSFER 2021 POSTS)



**One set of DROP BEST UC F21 consists of:**

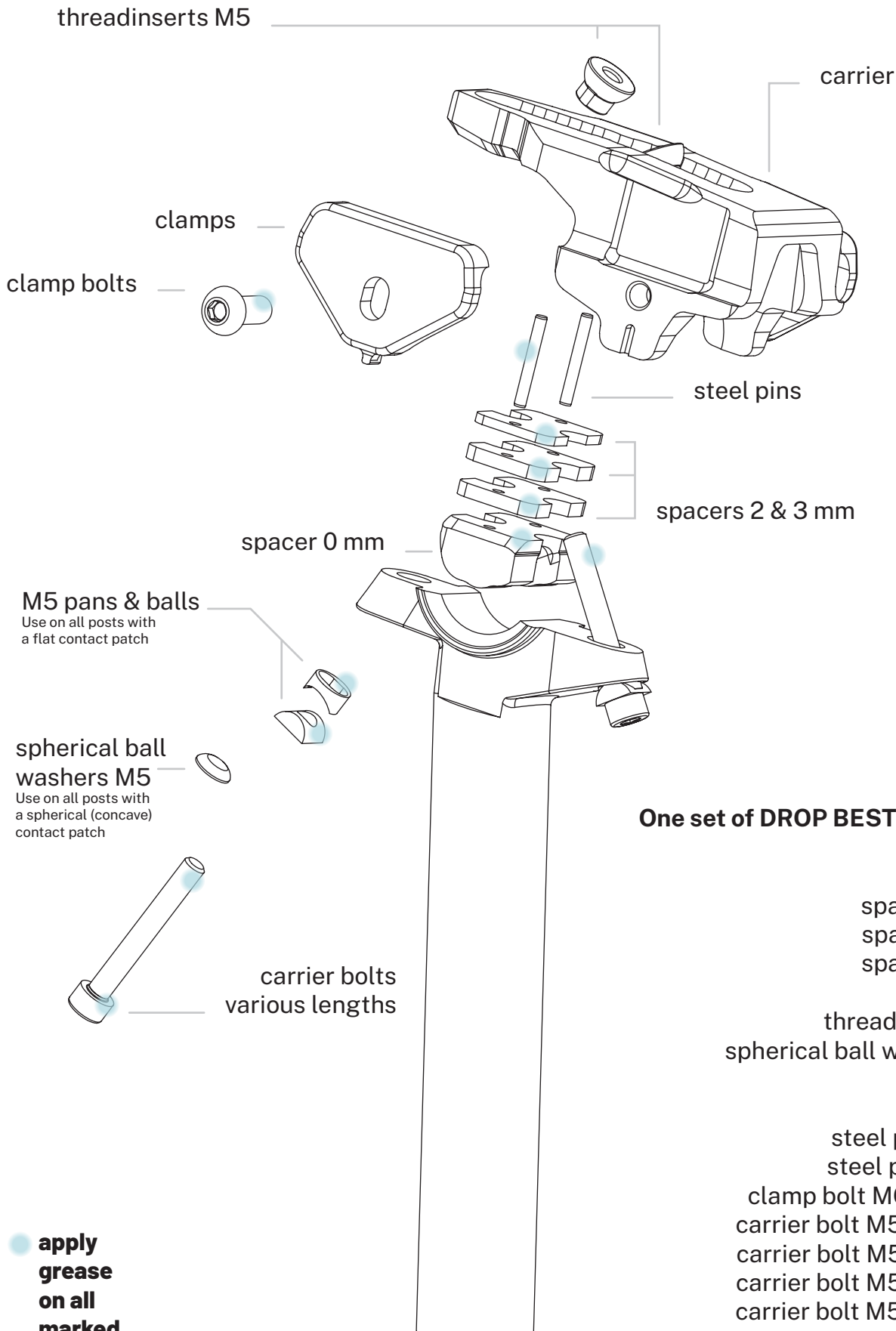
- carrier: 1 pcs
- spacer 3 mm: 3 pcs
- spacer 2 mm: 2 pcs
- spacer 0 mm: 1 pcs
- clamp: 2 pcs
- threadinsert M6: 2 pcs
- threadbar F21: 2 pcs
- spacer F21: 2 pcs
- steel pin 14 mm: 2 pcs
- steel pin 20 mm: 2 pcs
- clamp bolt M6 x 16 mm: 2 pcs
- carrier bolt M6 x 45 mm: 2 pcs
- carrier bolt M6 x 50 mm: 1 pcs

**apply grease on all marked areas**

# 3.PARTS DESCRIPTION

## DROP BEST UC M5

(FOR ALL POSTS USING M5 HARDWARE)



### One set of DROP BEST UC M5 consists of:

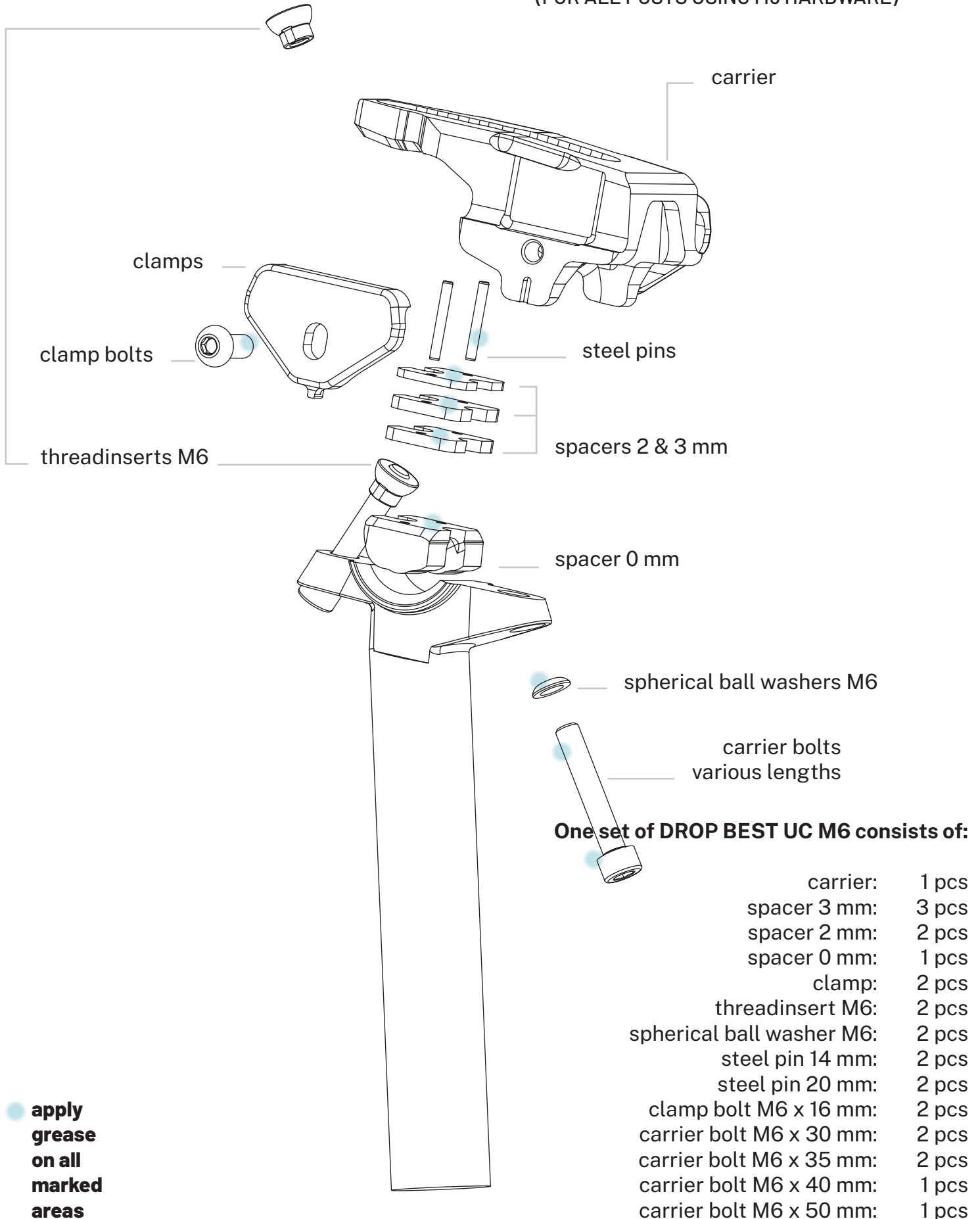
- carrier: 1 pcs
- spacer 3 mm: 3 pcs
- spacer 2 mm: 2 pcs
- spacer 0 mm: 1 pcs
- clamp: 2 pcs
- threadinsert M5: 2 pcs
- spherical ball washer M5: 2 pcs
- M5 ball: 2 pcs
- M5 pan: 2 pcs
- steel pin 14 mm: 2 pcs
- steel pin 20 mm: 2 pcs
- clamp bolt M6 x 16 mm: 2 pcs
- carrier bolt M5 x 35 mm: 2 pcs
- carrier bolt M5 x 40 mm: 1 pcs
- carrier bolt M5 x 45 mm: 1 pcs
- carrier bolt M5 x 55 mm: 1 pcs

**apply grease on all marked areas**

# 3.PARTS DESCRIPTION

## DROP BEST UC M6

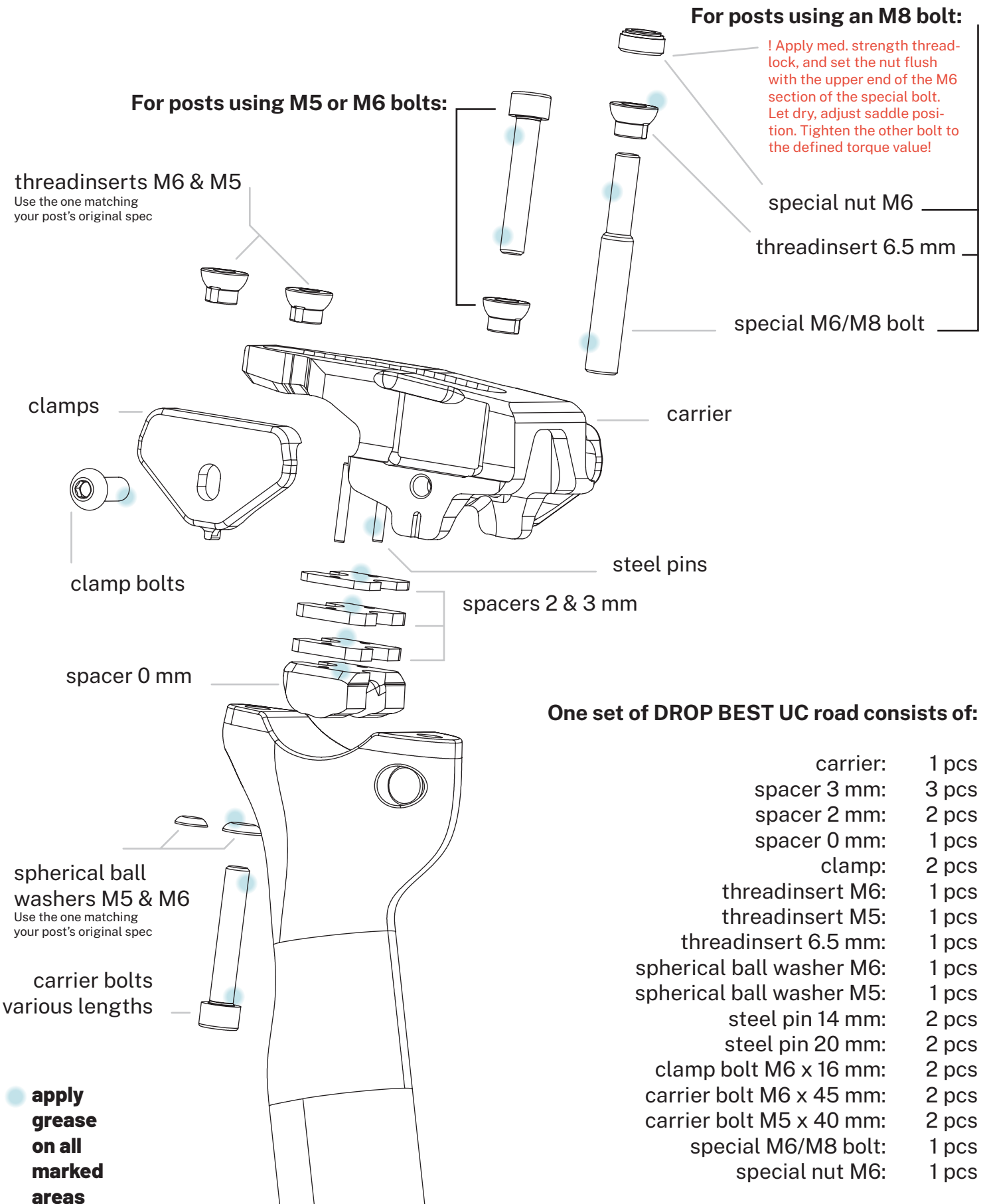
(FOR ALL POSTS USING M6 HARDWARE)



# 3.PARTS DESCRIPTION

## DROP BEST UC road

(FOR ALL NON DROPPER, BUT PROPRIETARY POSTS USING M5/M6/M8 HARDWARE)



### One set of DROP BEST UC road consists of:

- carrier: 1 pcs
- spacer 3 mm: 3 pcs
- spacer 2 mm: 2 pcs
- spacer 0 mm: 1 pcs
- clamp: 2 pcs
- threadinsert M6: 1 pcs
- threadinsert M5: 1 pcs
- threadinsert 6.5 mm: 1 pcs
- spherical ball washer M6: 1 pcs
- spherical ball washer M5: 1 pcs
- steel pin 14 mm: 2 pcs
- steel pin 20 mm: 2 pcs
- clamp bolt M6 x 16 mm: 2 pcs
- carrier bolt M6 x 45 mm: 2 pcs
- carrier bolt M5 x 40 mm: 2 pcs
- special M6/M8 bolt: 1 pcs
- special nut M6: 1 pcs



## 4. PREPARATION

To prepare for assembly you will need a 5 and 6 mm allen key. Also a torque wrench able to be adjusted between 5 and 12 Nm. Some kind of mounting grease and a medium strength, removable threadlock liquid which allows the connection to be disassembled with hand tools and/or a heat gun. If you need to shorten bolts, a metal cutting disc and a metal file will be required.

No preparation of the parts is needed to install the DROP BEST UC saddle clamp when bought new. Simply remove the saddle clamp from your seatpost and replace it with the DROP BEST UC parts. Installation instructions see page 10 onwards.

If you have changed your saddle or disassembled your DROP BEST UC for another reason, go through the following steps:

1. Clean all parts with a soft, non fraying, dry cloth.
2. Apply grease on all parts as marked in the illustrations on pages 5 to 8.
3. Install as explained on page 10 onwards.

# 5. INSTALLATION

Put your bicycle in a bike stand.

## 1. Install the carrier

1.1 Install the carrier with a forwards or backwards offset, as desired.

**!Make sure the correct mounting hardware is installed, oriented as shown in the illustrations on pages 5 to 8. Also apply grease where indicated.**

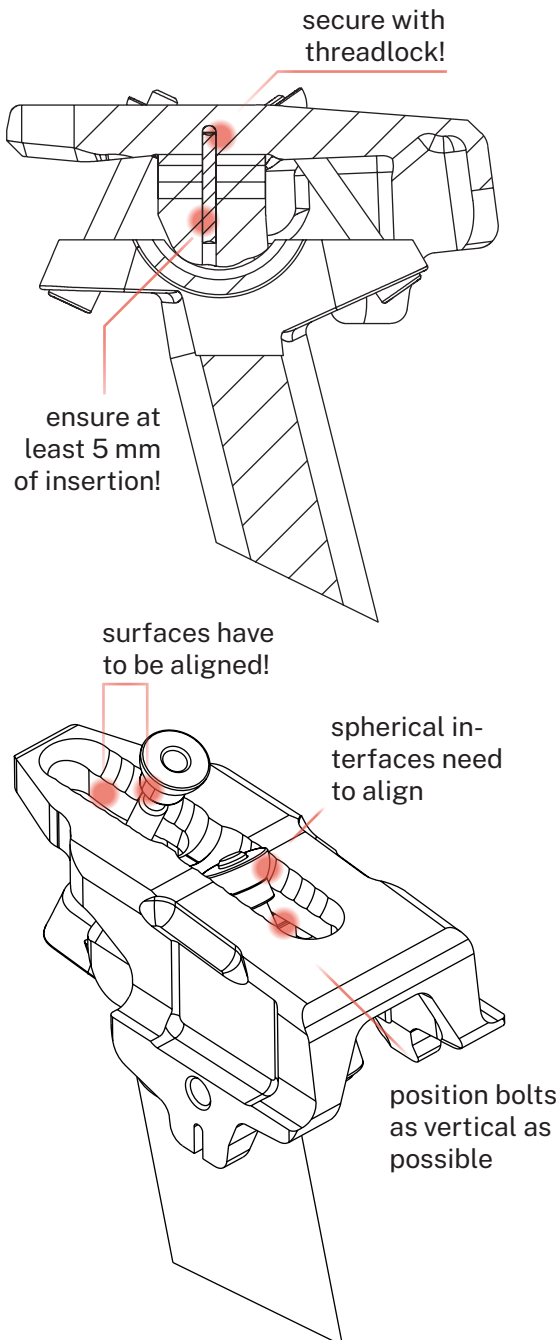
1.2 Install the steel pins into the carrier body. Make sure the pins are fully inserted into the carrier (3.8mm depth). Use a medium strength, removable threadlock liquid which allows the connection to be disassembled with hand tools and/or a heat gun.

Tip: Use a vice with soft or ground jaws to remove the pins. This will make sure they do not get scratched in the process, so they will reinstall nicely and smoothly.

1.3 Install spacers as desired. A guideline related to market leading seatposts can be found [here](#). You may run anywhere between 0 mm (no spacers) to 11 mm of spacers (all spacers included in your DROP BEST UC). Make sure that the steel pins are always fully inserted into the carrier. And are inserted at least 5 mm at all times into the part \*spacer 0 mm\*. Use the supplied 14 and 20 mm pins accordingly.

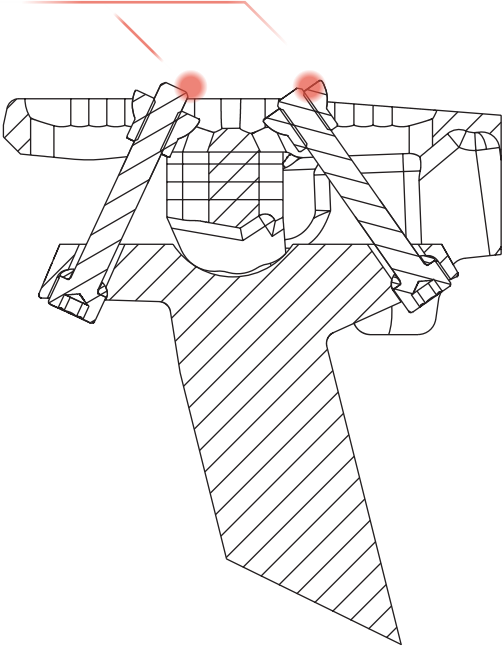
1.4 Install the carrier bolts and threadinserts. Make sure you use the correct spherical washer or the M5 pan/ball or Fox F21 threadbar/spacer, as illustrated on pages 5 to 8. Make sure you orient the threadinserts so that their flat machined surfaces slide into the slot. Make sure the threadinsert's spherical surface properly engages one of the spherical seats in the carrier. Position the threadinserts to achieve the most vertical orientation of the carrier bolts possible. Tighten the carrier bolts slightly using an allen key. Slide the saddle over the carrier and adjust the saddle angle as desired. At your selected saddle angle, make sure the carrier bolts engage all threads of the threadinserts and stick out between

1 and 5 mm, using the different length supplied bolts. If the bolts stick out too far, either cut them to the correct length or jump to step \*2. Install the saddle\*, and check whether the saddle at full load (e.g. jumping up from the saddle and dropping your



## 5. INSTALLATION

Ideally bolts stick out between 1 and 5 mm.

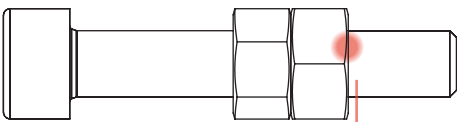


full weight onto it) collides with the bolts sticking out. If it does, shorten the bolts.

**Tip:** Install two nuts onto the bolt to be shortened. Position the second nut so the amount of bolt to be cut sticks out behind the nut. Use the first nut to lock the first nut. Use the second nut as a guide while cutting. Using a vice, clamp the bolt at the first nut. After cutting, deburr the bolt using the file. Now, unscrewing the nuts, use them to reform the thread on the end of the bolt by threading them on and off the bolt end multiple times, without removing it completely, until you feel the thread running smoothly again.

**!You will need a cutting disc to cut these high strength grade bolts, as, due to their hardness, they will damage any regular steel cutting saw blade!**

Now, using a calibrated torque wrench, tighten the carrier bolts as follows:



Lock the first nut.

Cut here with a cutting disc. Use the nut as a guide.

- All seatposts: Tighten them sequentially, until the required torque value is achieved.
- Seatposts using M5 hardware: Use the torque value recommended by the post manufacturer. If no value is indicated, tighten them to 7 Nm.
- Seatposts using M6 hardware: Tighten them to 10 Nm.
- Fox Transfer 2021 seatposts: Tighten them to 10 Nm.
- Road/proprietary seatposts: Use the torque value recommended by the post manufacturer. If no value is indicated, tighten them to 10 Nm for M6 bolts and to 7 Nm for M5 bolts.

### 2. Install the saddle

2.1 Install the saddle. If necessary, slightly bend open the saddle rails by hand to avoid rail damage.

**!Make sure you slide the saddle over the marked, rounded areas (shown in the illustration) of the carrier to avoid possible rail damage (especially when using carbon composite rails).**

### 3. Install the clamps

3.1 First side clamp: Slot the anchor in the rail of the carrier.

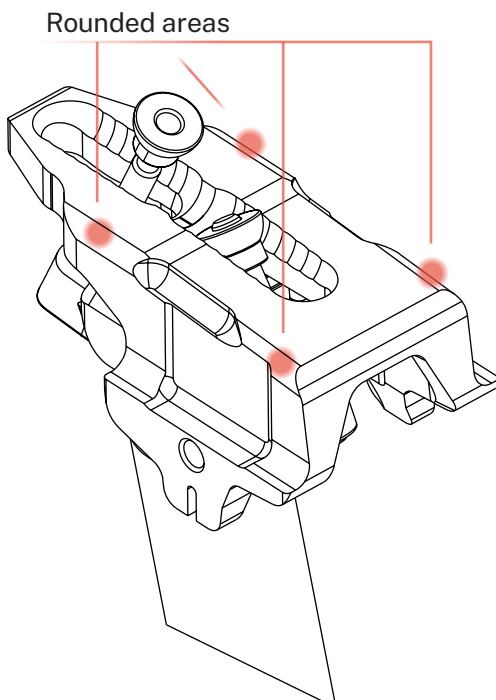
3.2 Turn the clamp bolt by hand until the clamp touches the rail.

3.3 Repeat with the second side clamp.

3.4 Now hold down the clamp against the rail with your thumb while pressing it down and tightening the clamp bolt handtight with an allen key.

3.5 Repeat with the second side clamp.

3.6 Tighten each bolt to 12 Nm using a



## 5.INSTALLATION

torque wrench.

3.7 Set your desired seat angle if adjustment is still needed. Do not exceed the recommendations mentioned under 1.4.

### 4. Safety check

- Make sure the saddle rails do not slip in the seat post clamp.
- Make sure the saddle/carrier assembly does not move on the seatpost tube it rests on.
- Despite our best efforts, we cannot guarantee we are aware of all changes manufacturers make to their seatposts. Also we cannot foresee all the possible setups, you, as our valued customers, choose to use. Therefore it is very important to check whether DROP BEST UC collides with the seatpost collar, frame or any other parts/equipment of the bike at full insertion of the dropper post, or in normal riding condition for rigid posts. If you have such a collision, we would appreciate informing us via email, so we can learn and further improve the design. Thank you!

### 5. Go ride!

## 6.MAINTENANCE

**After every 40 h of ride use:**

1. Totally disassemble your DROP BEST.
2. Clean all parts with a soft, non fraying, dry cloth.
3. Check all parts for signs of corrosion, cracks or other damage.
4. If there are any signs of corrosion, cracks or other damage, replace the parts immediately and do not ride before doing so.
5. Regrease all the parts as illustrated on pages 5 to 8. Recommended grease: WAGNER Classic Oil KH 100. But any high quality mounting grease will work too.
6. Reinstall your DROP BEST following the instructions on page 10 onwards.

**Failure to follow the instructions in this manual including these maintenance requirements can lead to serious injury or death!**

**Ride hard but safe!  
THANK YOU**

**FAIR bicycle**

**Copyright 2024 FAIR bicycle**  
STUDIO FROM SCRATCH LTD.

Operational Headquarters:

FAIR bicycle  
Hübscheren 6  
8932 Mettmenstetten  
Switzerland

email: [hello@fairbicycle.com](mailto:hello@fairbicycle.com)  
phone: +41 76 533 00 25

Legal Address:

STUDIO FROM SCRATCH LTD.  
Glärnischstrasse 297  
8708 Männedorf

[info@fromscratch.ch](mailto:info@fromscratch.ch)